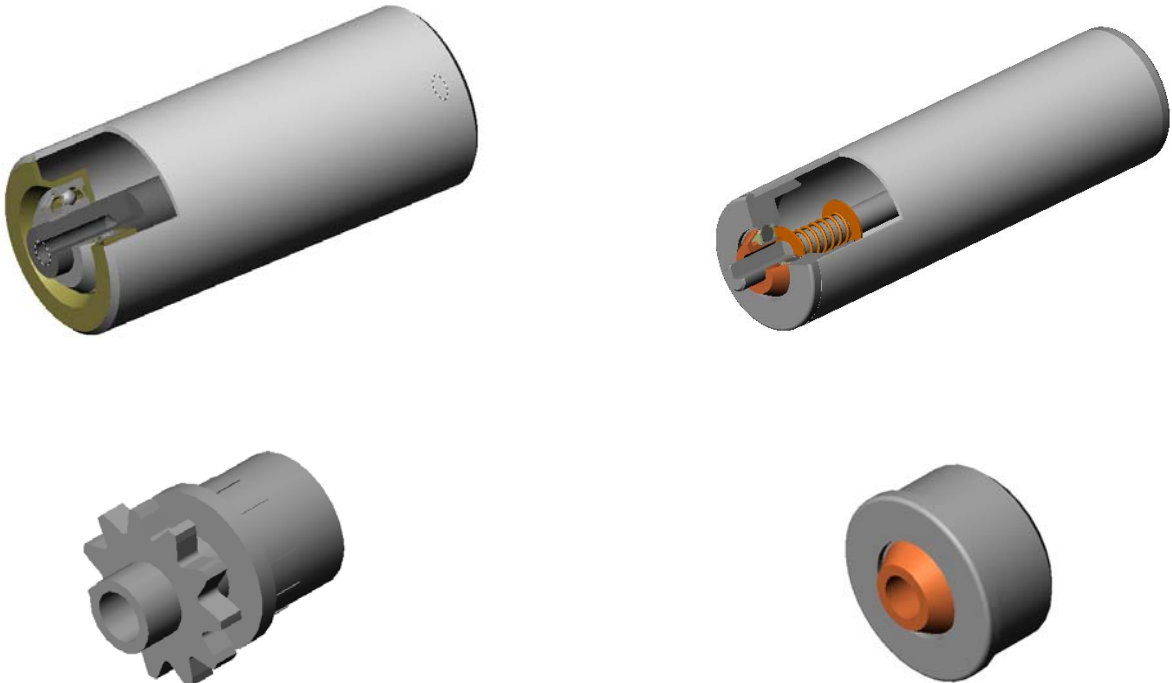


# FOERDERTECHNIK

MATERIALS HANDLING

## ROLLER SPECIFICATIONS



### CONTACT:

**ROBERT KRAUSE**

**083 302 0403**

**Tel: +27 (0)11 622-1886**

**Fax: +27 (0)11 622-2590**

**Website: [www.foerdertechnik.co.za](http://www.foerdertechnik.co.za)**

**E-Mail: [robert@foerdertechnik.co.za](mailto:robert@foerdertechnik.co.za)**

**P.O. Box 40430**

**CLEVELAND**

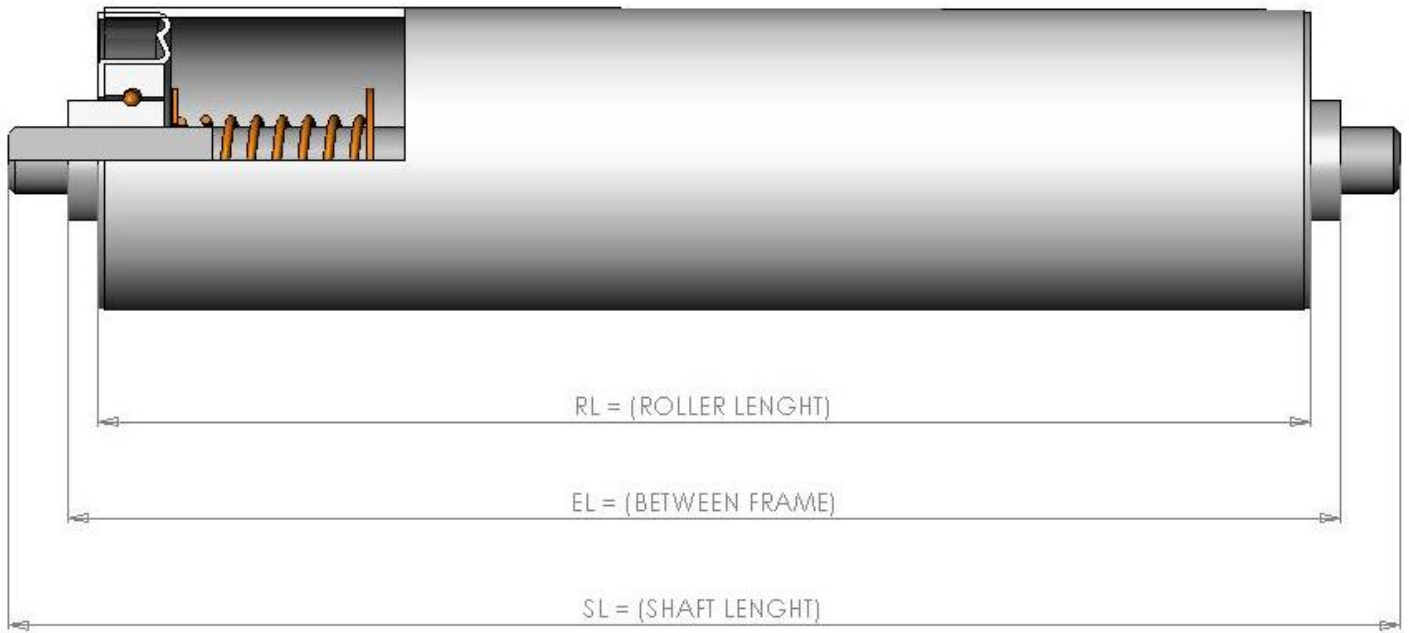
**2022**

# FOERDERTECHNIK

MATERIALS HANDLING

## UNIVERSAL GRAVITY CONVEYOR ROLLER

## SERIES 1600



**Tube Diameter:** Mild Steel Dia. 25; Dia. 32; Dia. 50

**End Cap:** Steel Semi precision Bearing

**Shaft Size:** Dia. 8 for Dia. 25 & 32 Dia. 11 for Dia. 50

**Shaft Assemblies:** Spring Loaded

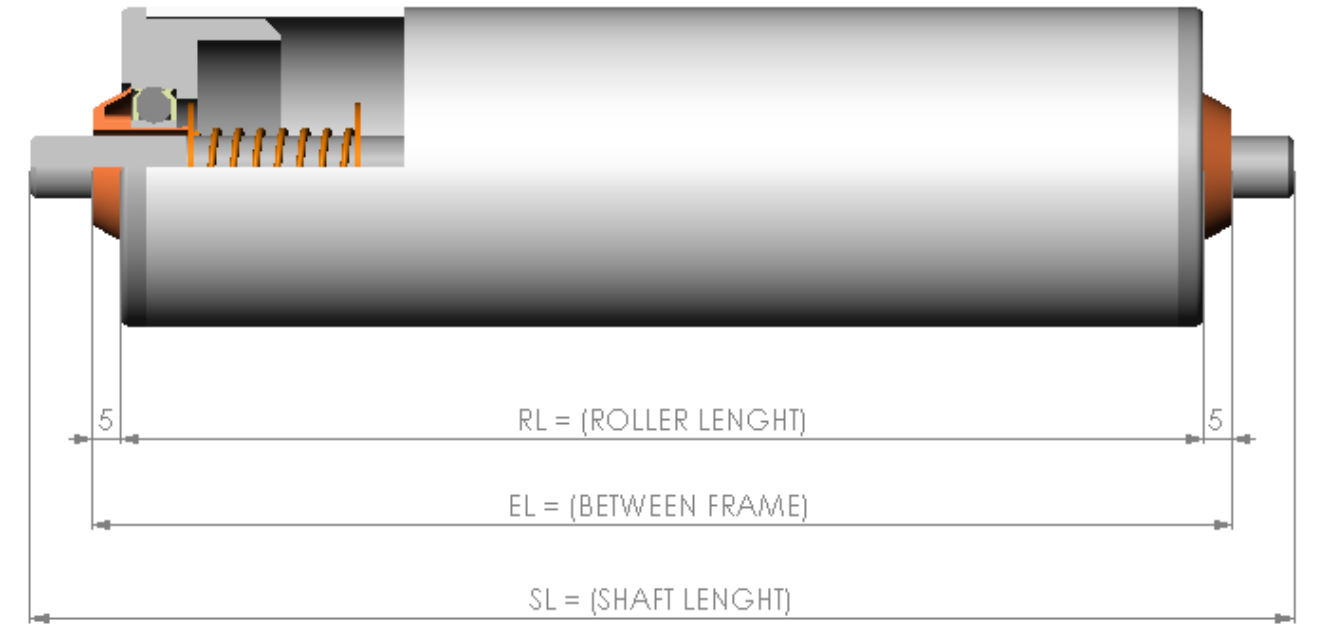


# FOERDERTECHNIK

MATERIALS HANDLING

## UNIVERSAL GRAVITY CONVEYOR ROLLER

## SERIES 1800

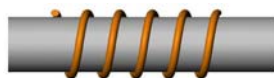


<b>Tube Diameter:</b>	PVC	Dia. 40 ; Dia. 50 ; Dia. 63
	Mild Steel	Dia. 38 ; Dia. 50 ; Dia. 60 ; Dia. 63.5
	Stainless Steel	Dia. 50 ; Dia. 60

<b>End Cap:</b>	Plastic	6002 2RS Precision Bearing
-----------------	---------	----------------------------

<b>Shaft Size:</b>	Dia. 8 ; Dia. 10 ; Dia. 12 ; Dia. 14 & 11 Hex.
--------------------	--

<b>Shaft Assemblies:</b>	Spring Loaded	Female Thread	Male Thread
--------------------------	---------------	---------------	-------------



Machined Flats



Loose Fixing

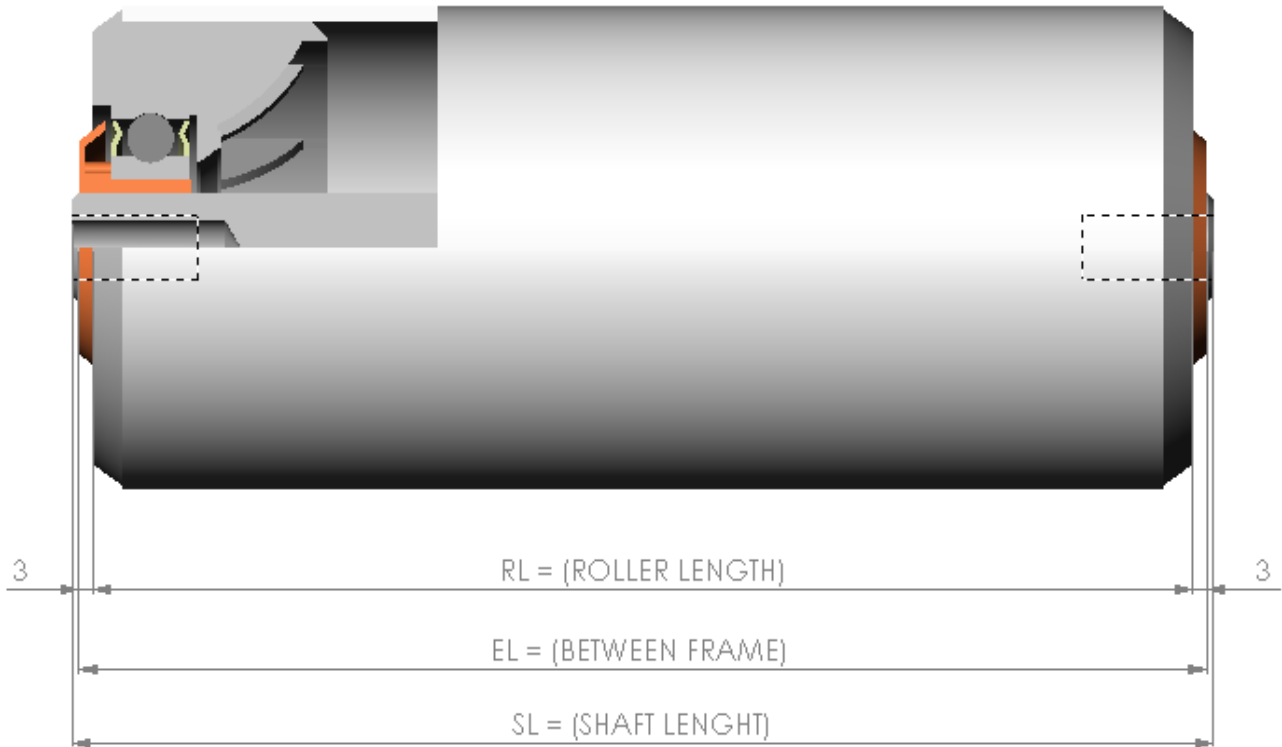


# FOERDERTECHNIK

MATERIALS HANDLING

## MEDIUM DUTY GRAVITY CONVEYOR ROLLER

## SERIES 1000



---

<b>Tube Diameter:</b>	PVC	Dia. 63. ; Dia. 90.
	Mild Steel	Dia. 63.5 ; Dia. 76 ; Dia. 89

<b>End Cap:</b>	Plastic	6205 2RS Precision Bearing
-----------------	---------	----------------------------

<b>Shaft Size:</b>	Dia. 16 ; Dia. 20 ; Dia. 25 ; 13 Hex. & 16 Hex.	
--------------------	---	--

<b>Shaft Assemblies:</b>	Female Thread
--------------------------	---------------

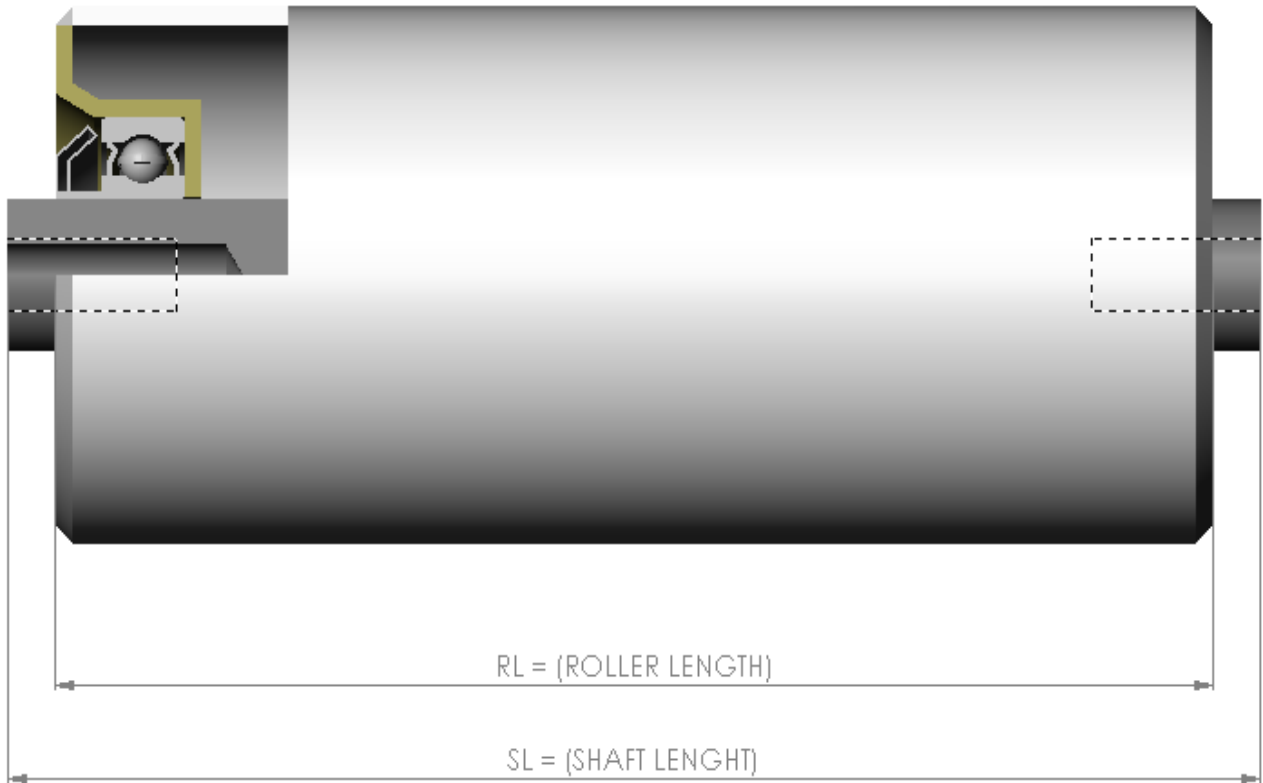


# FOERDERTECHNIK

MATERIALS HANDLING

## BELT CONVEYOR ROLLERS (HEAVY DUTY ROLLER)

## SERIES 2000



**Tube Diameter:** Mild Steel      Dia. 63.5 ; Dia. 76 ; Dia. 89. Dia. 102

**End Cap:** Steel      6205 2RS Precision Bearing

**Shaft Size:** 25 Dia.

**Shaft Assemblies:** Female Thread

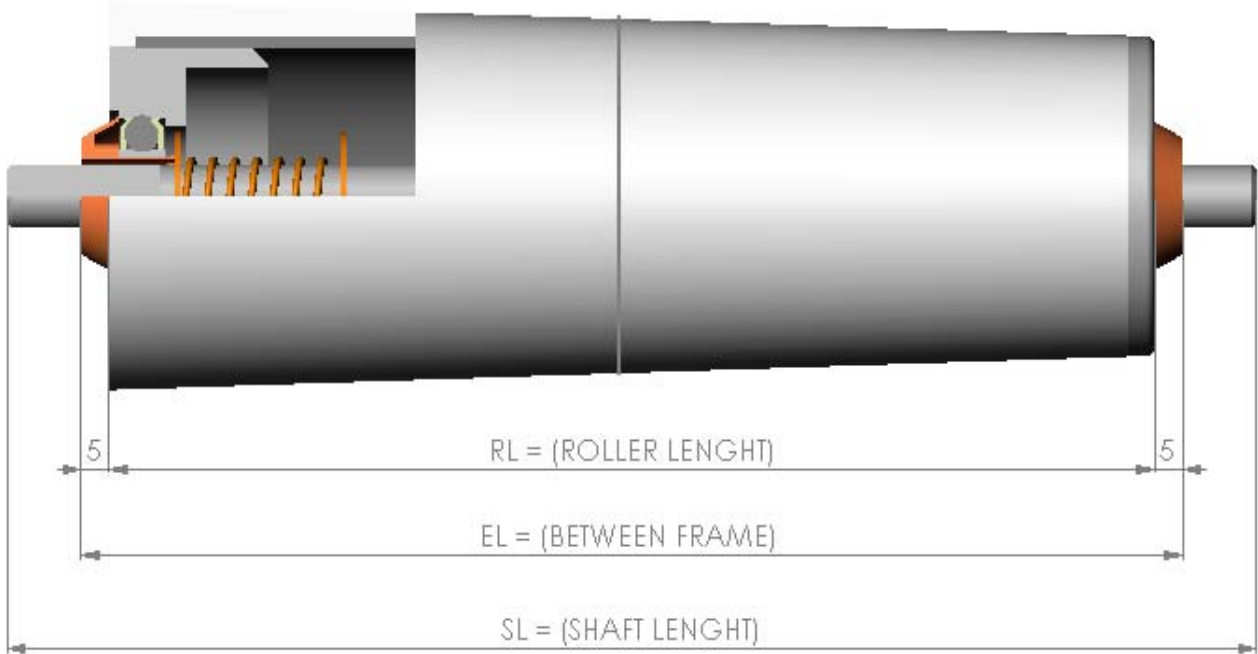


# FOERDERTECHNIK

MATERIALS HANDLING

## TAPERED UNIVERSAL GRAVITY CONVEYOR ROLLER (TAPERED PLASTIC ELEMENTS ON INNER TUBE)

## SERIES 1800 TR



### Tube Diameter:

Mild Steel	Dia. 50
Stainless Steel	Dia. 50

### End Cap:

Plastic	6002 2RS Precision Bearing
---------	----------------------------

### Shaft Size:

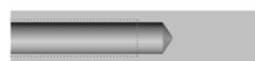
Dia. 8 ; Dia. 10 ; Dia. 12 ; Dia. 14 & 11 Hex.

### Shaft Assemblies:

Spring Loaded



Female Thread



Male Thread



Machined Flats



Loose Fixing

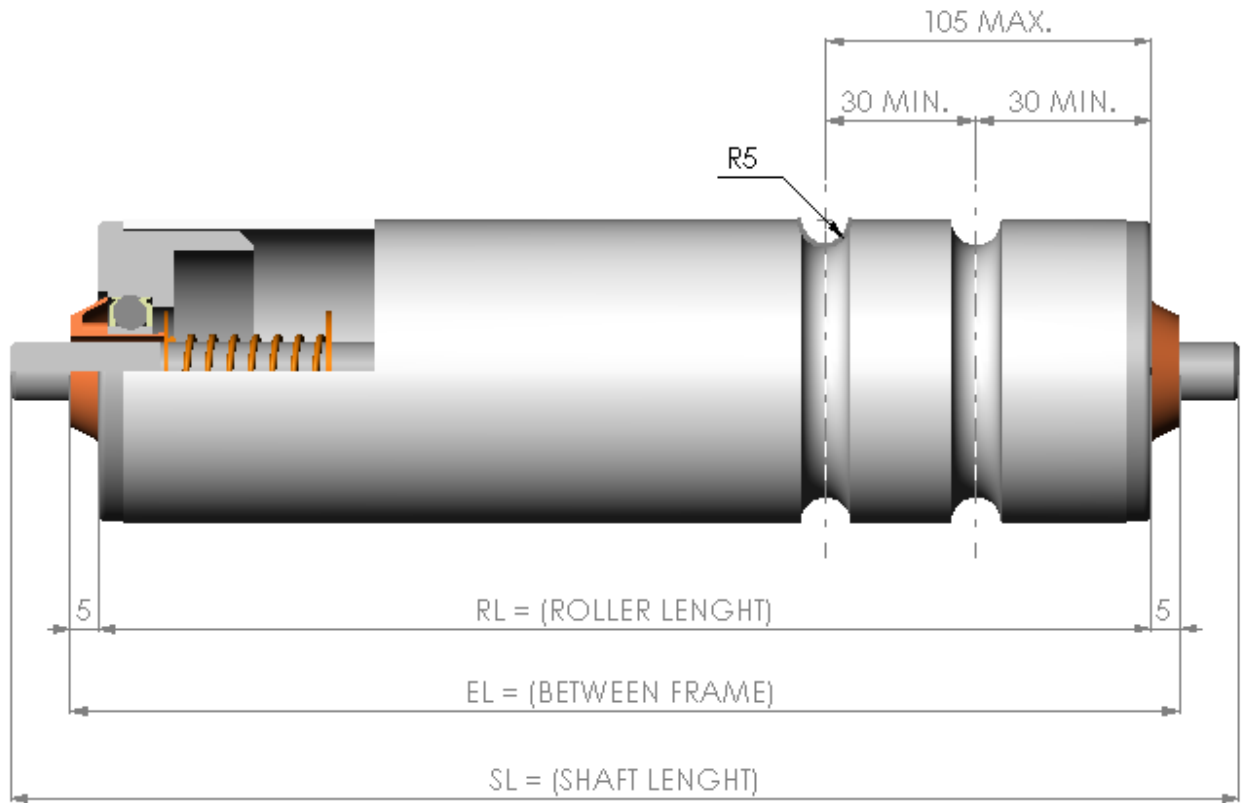


# FOERDERTECHNIK

MATERIALS HANDLING

## GROOVED UNIVERSAL CONVEYOR ROLLER

## SERIES 1800

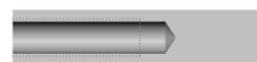


**Tube Diameter:** Mild Steel      Dia. 50 ; Dia. 60

**End Cap:** Plastic      6002 2RS Precision Bearing

**Shaft Size:** Dia. 8 ; Dia. 10 ; Dia. 12 ; Dia. 14 & 11 Hex.

**Shaft Assemblies:** Spring Loaded      Female Thread      Male Thread



Machined Flats

Loose Fixing



# FOERDERTECHNIK

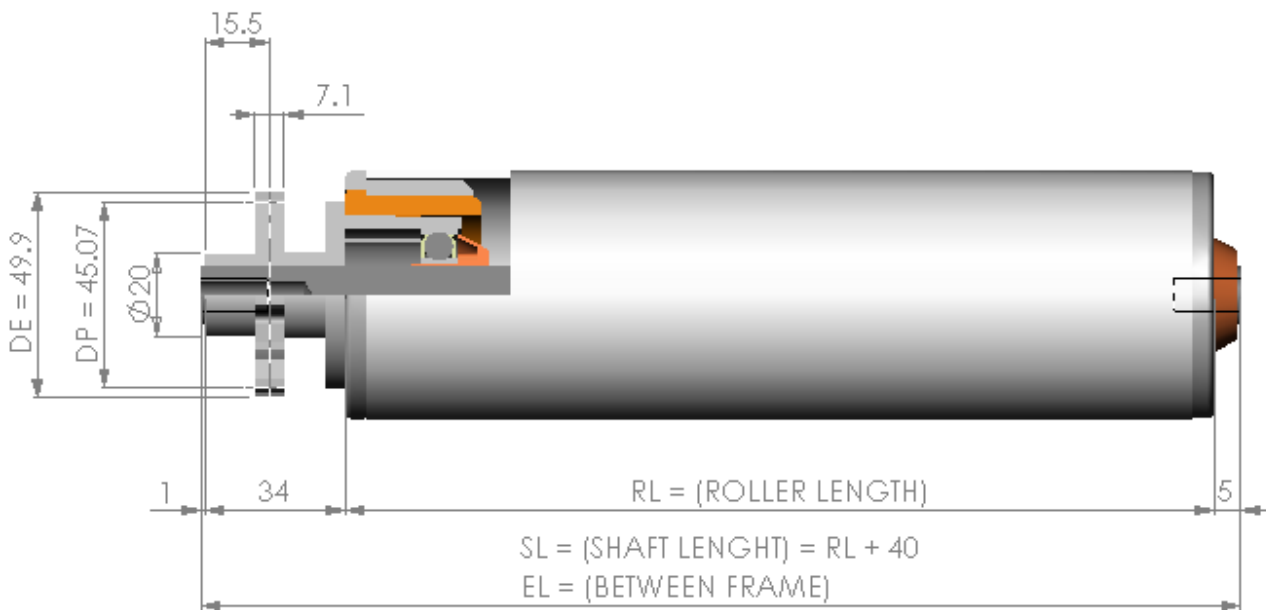
MATERIALS HANDLING

## FIXED DRIVE ROLLERS

## FRICTION DRIVE ACCUMULATING ROLLERS

SERIES 2500

SERIES 2800



### **Sprocket:**

Simplex Plastic Sprocket for 1/2" x 5/16" Chain  
Z = 11 (08 B - 1)

Simplex Steel Sprocket for 1/2" x 5/16" Chain  
Z = 11 (08 B - 1)

### **Tube Diameter:**

Mild Steel      Dia. 50 ; Dia. 60 ; Dia. 63.5  
Stainless Steel      Dia. 50 ; Dia. 60 ; Dia. 63.5

### **End Cap:**

Plastic      6002 2RS Precision Bearing

### **Shaft Size:**

Dia. 14

### **Shaft Assemblies:**

Female Thread



# FOERDERTECHNIK

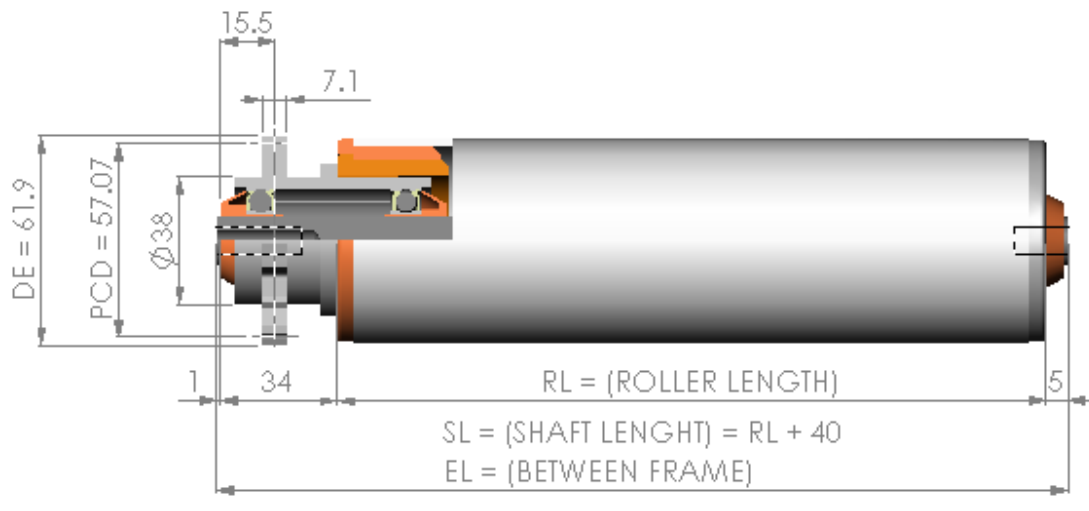
MATERIALS HANDLING

**FIXED DRIVE ROLLERS**

**SERIES 2500**

**FRICITION DRIVE ACCUMULATING ROLLERS**

**SERIES 2800**



**Sprocket:** Simplex Plastic Sprocket for 1/2" x 5/16" Chain  
Z = 14 (08 B - 1)

Simplex Steel Sprocket for 1/2" x 5/16" Chain  
Z = 14 (08 B - 1)

**Tube Diameter:** Mild Steel      Dia. 50 ; Dia. 60 ; Dia. 63.5  
Stainless Steel      Dia. 50 ; Dia. 60 ; Dia. 63.5

**End Cap:** Plastic      6002 2RS Precision Bearing

**Shaft Size:** Dia. 12 ; Dia. 14

**Shaft Assemblies:** Female Thread



# FOERDERTECHNIK

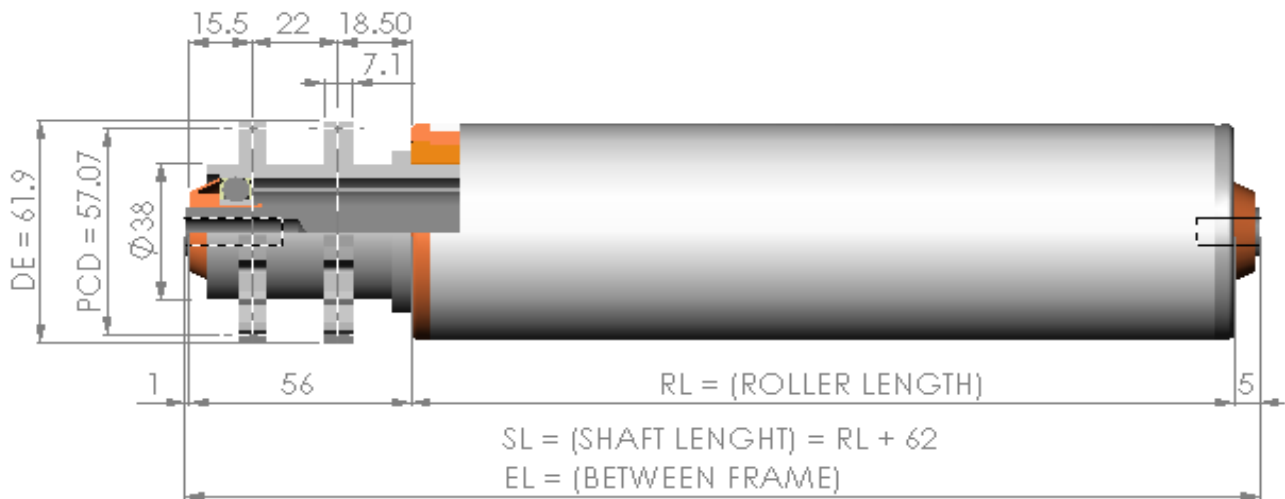
MATERIALS HANDLING

**FIXED DRIVE ROLLERS**

**SERIES 2500**

**FRICTION DRIVE ACCUMULATING ROLLERS**

**SERIES 2800**



**Sprocket:** Duplex Plastic Sprocket for 1/2" x 5/16" Chain  
Z = 14 (08 B - 2)

Duplex Steel Sprocket for 1/2" x 5/16" Chain  
Z = 14 (08 B - 2)

**Tube Diameter:** Mild Steel      Dia. 50 ; Dia. 60 ; Dia. 63.5  
Stainless Steel      Dia. 50 ; Dia. 60 ; Dia. 63.5

**End Cap:** Plastic      6002 2RS Precision Bearing

**Shaft Size:** Dia. 12 ; Dia. 14

**Shaft Assemblies:** Female Thread



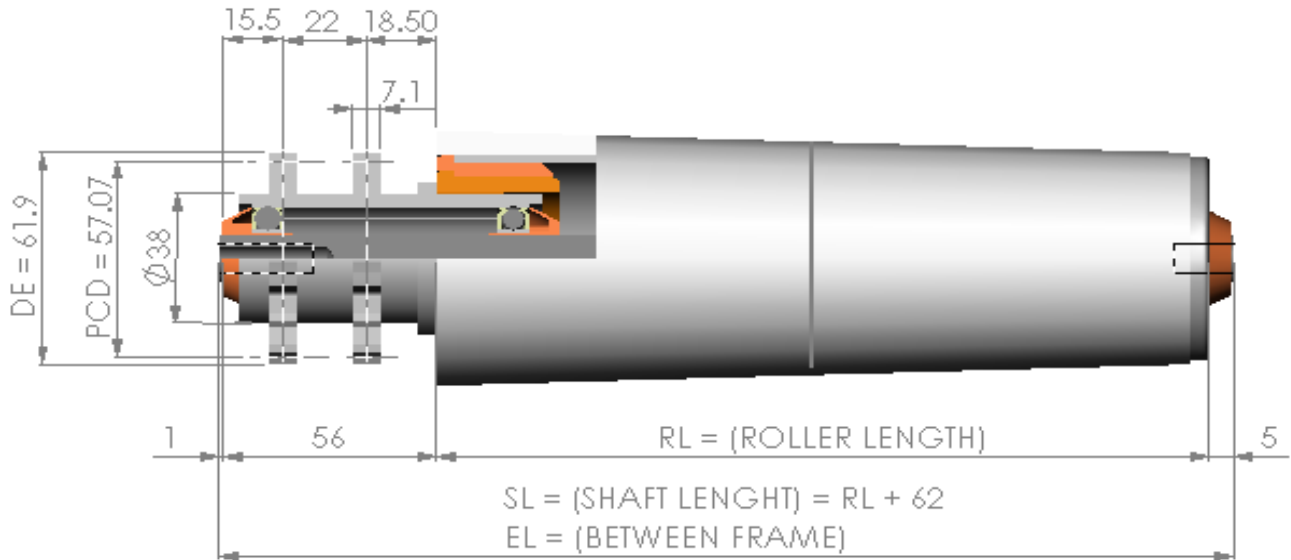
# FOERDERTECHNIK

MATERIALS HANDLING

## TAPERED FIXED DRIVE ROLLERS

## SERIES 2500 TR

(TAPERED PLASTIC ELEMENTS ON INNER TUBE)



### **Sprocket:**

Duplex Sprocket for 1/2" x 5/16" Chain

Z = 14 (08 B - 2)

Duplex Steel Sprocket for 1/2" x 5/16" Chain

Z = 14 (08 B - 2)

### **Tube Diameter:**

Mild Steel      Dia. 50

Stainless Steel      Dia. 50

### **End Cap:**

Plastic

6002 2RS Precision Bearing

### **Shaft Size:**

Dia. 12 ; Dia. 14

### **Shaft Assemblies:**

Female Thread

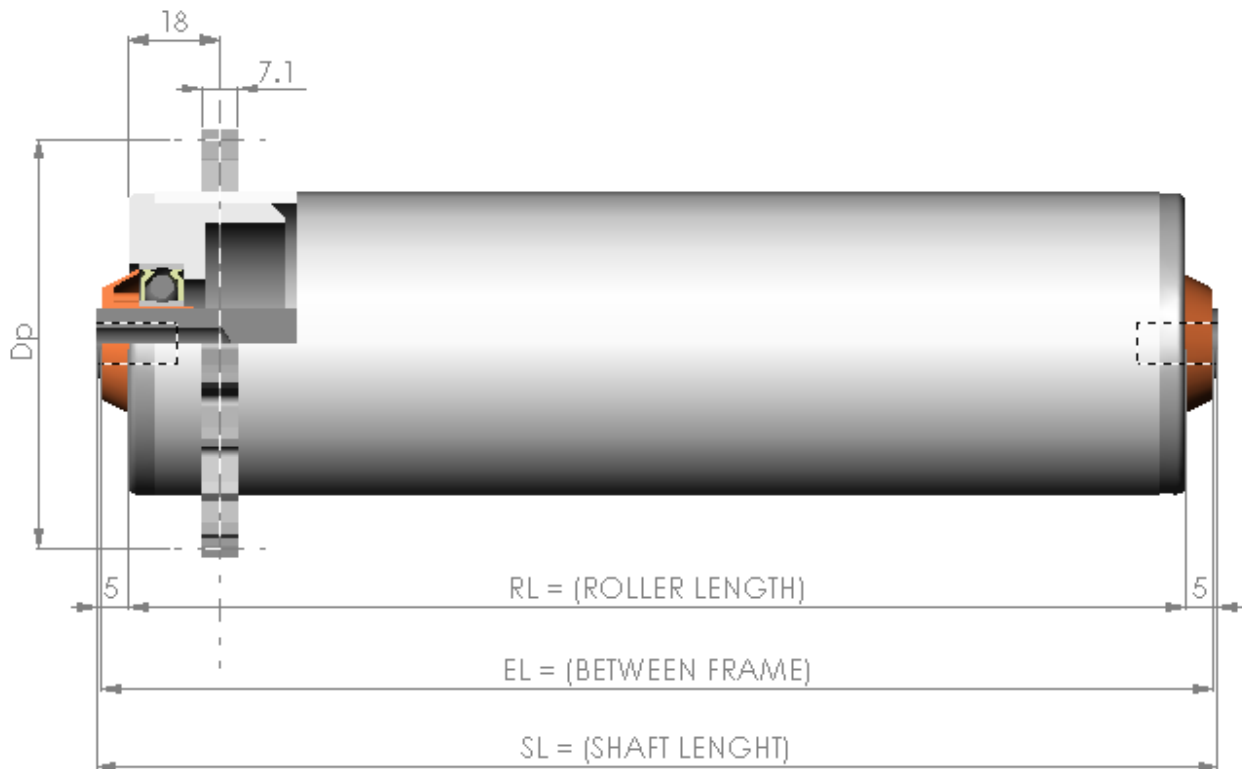


# FOERDERTECHNIK

MATERIALS HANDLING

## FIXED DRIVE ROLLERS

## SERIES 2550



**Sprocket:** 1 Steel Sprocket for 1/2" x 5/16" Chain (08 B - 1)

Z = 17, Dp = 69.11 (Dia. 50 Roller)

Z = 20, Dp = 81.19 (Dia. 60 Roller)

**Tube Diameter:** Mild Steel      Dia. 50 ; Dia. 60

**End Cap:** Plastic      6002 2RS Precision Bearing

**Shaft Size:** Dia. 12 ; Dia. 14

**Shaft Assemblies:** Female Thread

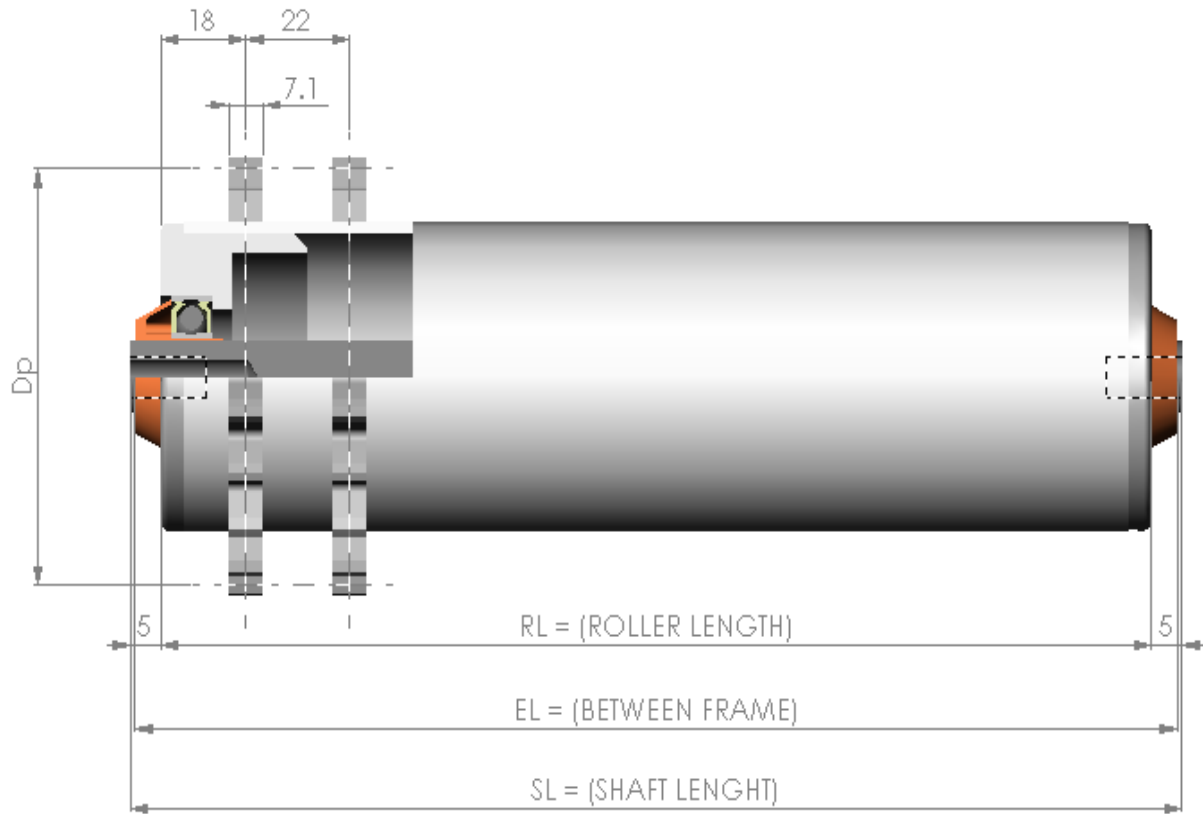


# FOERDERTECHNIK

MATERIALS HANDLING

## FIXED DRIVE ROLLERS

## SERIES 2550



**Sprocket:** 2 Steel Sprocket for 1/2" x 5/16" Chain (08 B - 2)

$Z = 17, D_p = 69.11$  (Dia. 50 Roller)

$Z = 20, D_p = 81.19$  (Dia. 60 Roller)

**Tube Diameter:** Mild Steel Dia. 50 ; Dia. 60

**End Cap:** Plastic 6002 2RS Precision Bearing

**Shaft Size:** Dia. 12 ; Dia. 14

**Shaft Assemblies:** Female Thread

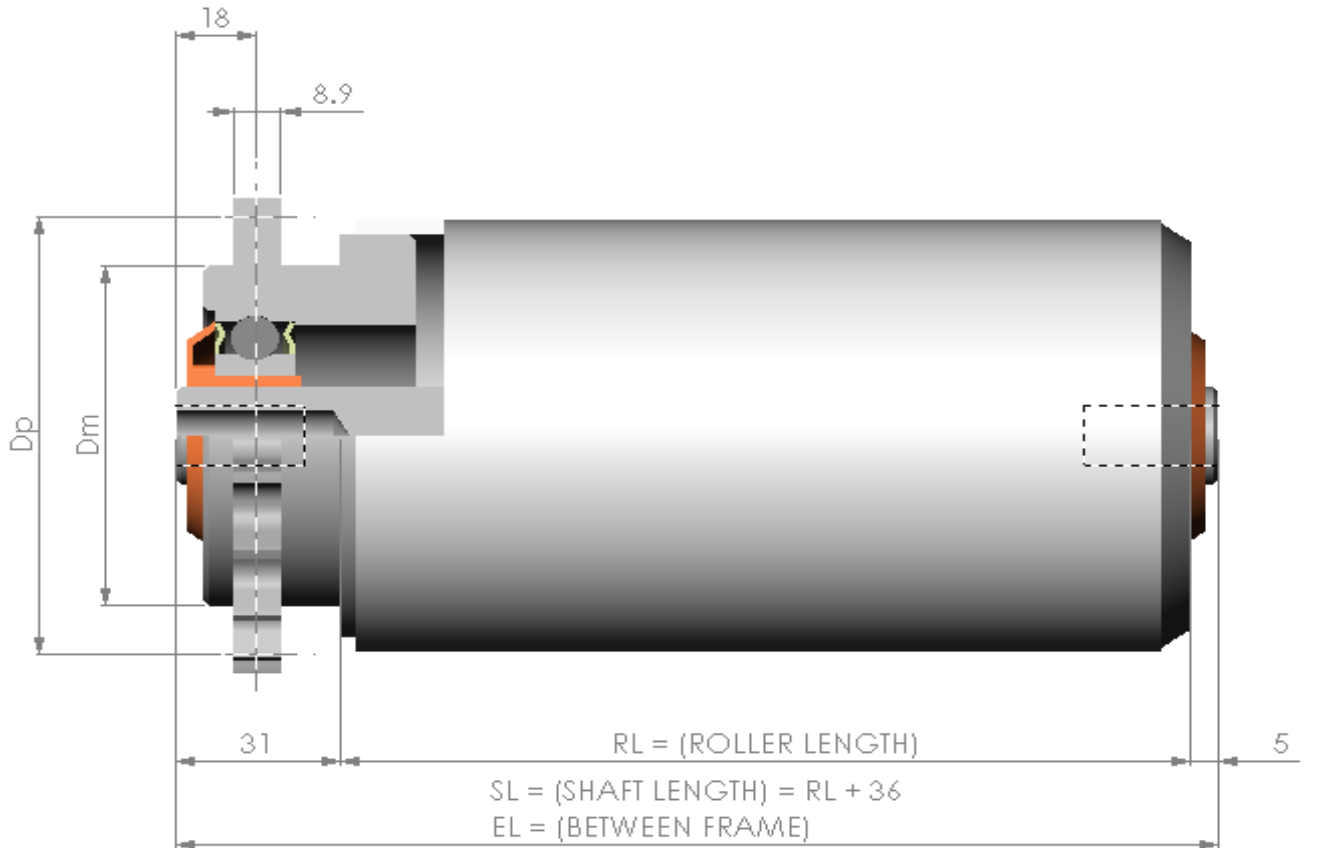


# FOERDERTECHNIK

MATERIALS HANDLING

## PALLET CONVEYOR ROLLER

SERIES 2950



**Sprocket:** Simplex Steel Sprocket for 5/8" x 3/8" Chain (10 B - 1)

Z = 15, Dp = 76.36, Dm = 60

Z = 18, Dp = 91.42, Dm = 70

**Tube Diameter:** Mild Steel          Dia. 76 ; Dia. 89

**End Cap:** Plastic or Steel          6205 2RS Precision Bearing

**Shaft Size:** Dia. 20 ; Dia. 25 (Steel End Cap – Dia 25 Shaft only)

**Shaft Assemblies:** Female Thread

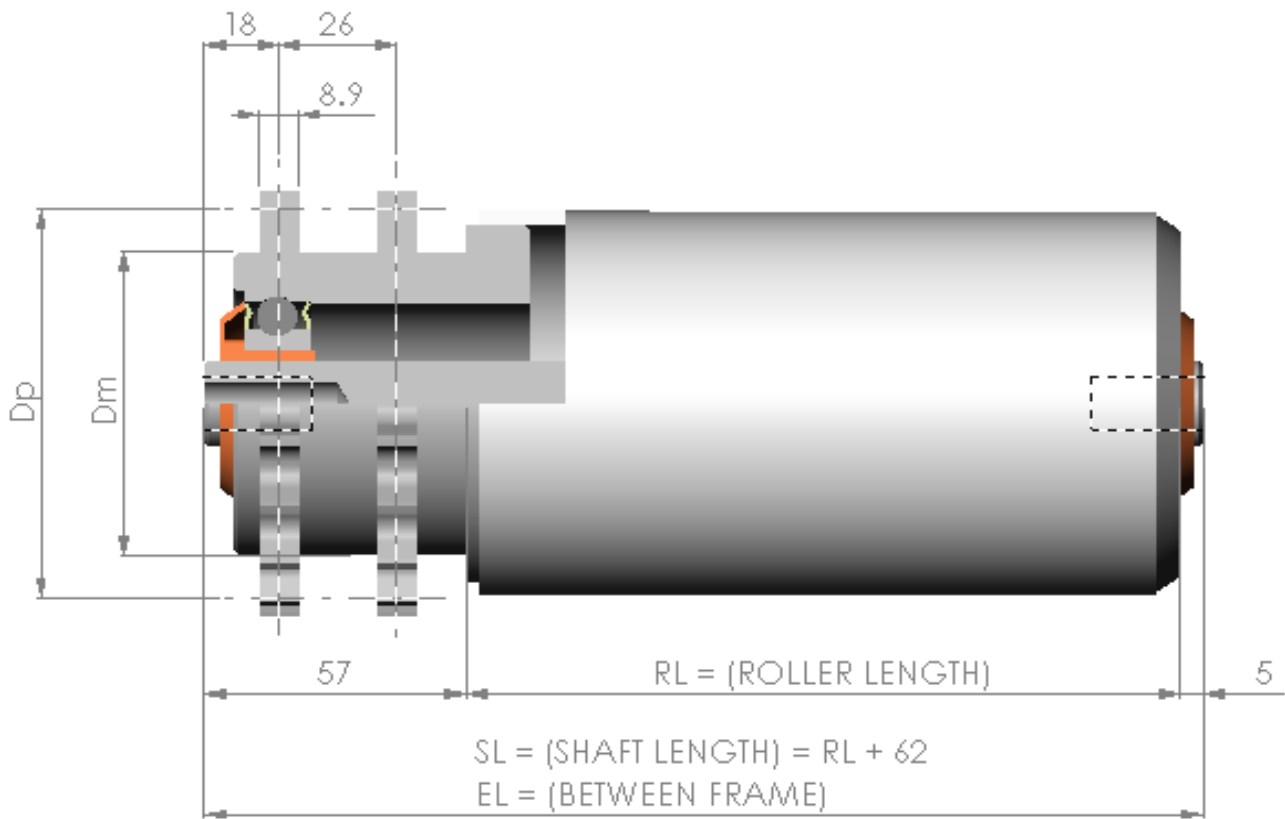


# FOERDERTECHNIK

MATERIALS HANDLING

## PALLET CONVEYOR ROLLER

SERIES 2950



**Sprocket:** Duplex Steel Sprocket for 5/8" x 3/8" Chain (10 B - 2)

Z = 15, Dp = 76.36, Dm = 60

Z = 18, Dp = 91.42, Dm = 70

**Tube Diameter:** Mild Steel      Dia. 76 ; Dia. 89

**End Cap:** Plastic or Steel      6205 2RS Precision Bearing

**Shaft Size:** Dia. 20 ; Dia. 25 (Steel End Cap – Dia 25 Shaft only)

**Shaft Assemblies:** Female Thread

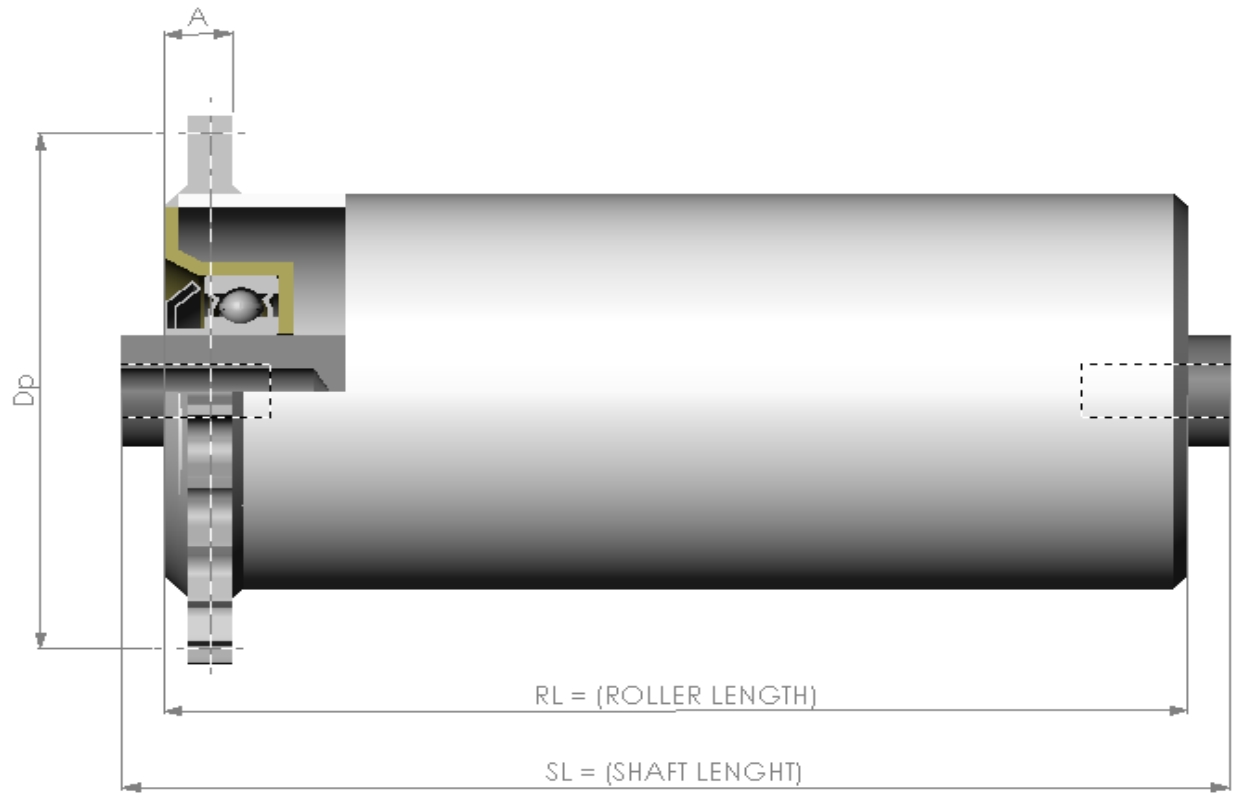


# FOERDERTECHNIK

MATERIALS HANDLING

## HEAVY DUTY CHAIN DRIVEN ROLLERS

## SERIES 2900



**Sprocket:** Single Crown Steel Sprocket

<b>Tube Diameter:</b>	<b>Chain Pitch:</b>		<b>Dp</b>	<b>A</b>
Dia. 60	1/2" x 5/16"	Z = 20	81.19	12
Dia. 76	5/8" x 3/8"	Z = 20	101.49	13.8
Dia. 89	5/8" x 3/8"	Z = 23	116.58	13.8
Dia. 102	3/4" x 7/16"	Z = 21	127.82	17.2
Dia. 127	1" x 17/02mm	Z = 20	162.38	26.2

**End Cap:** Steel 6205 2RS Precision Bearing

**Shaft Size:** Dia. 25

**Shaft Assemblies:** Female Thread

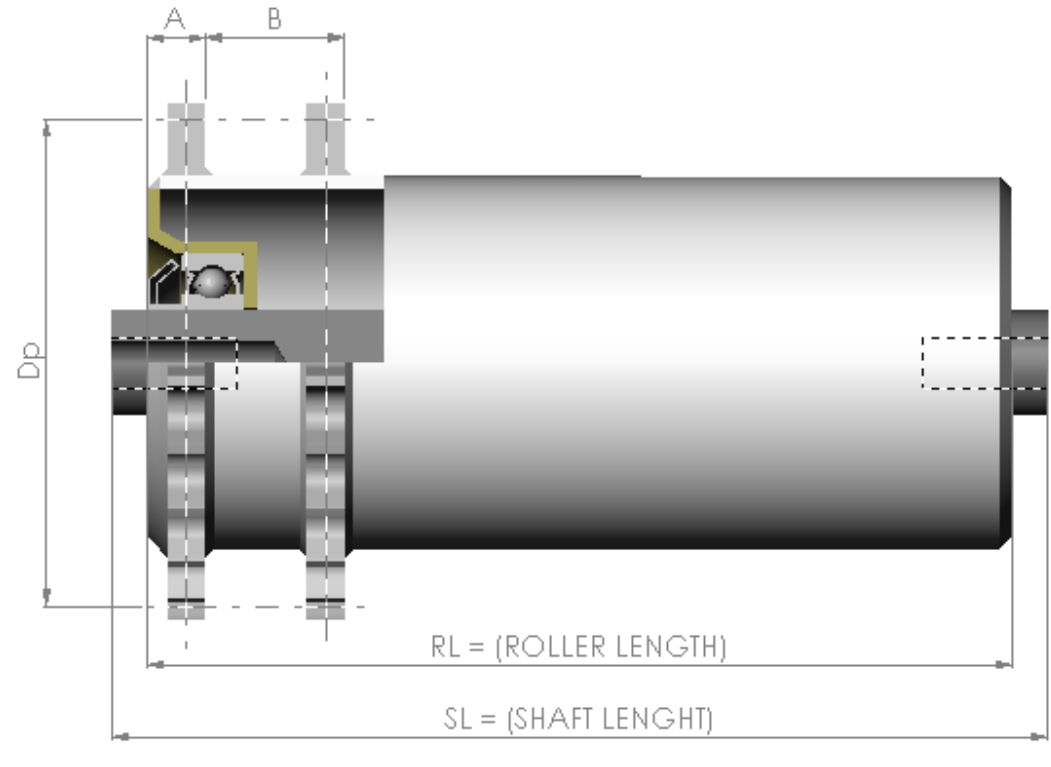


# FOERDERTECHNIK

MATERIALS HANDLING

## HEAVY DUTY CHAIN DRIVEN ROLLERS

## SERIES 2900



**Sprocket:** Twin Crown Steel Sprocket

Tube Diameter:	Chain Pitch:	Dp	A	B
Dia. 60	1/2" x 5/16"	Z = 20 81.19	12	28
Dia. 76	5/8" x 3/8"	Z = 20 101.49	13.8	33.2
Dia. 89	5/8" x 3/8"	Z = 23 116.58	13.8	33.2
Dia. 102	3/4" x 7/16"	Z = 21 127.82	17.2	38.8
Dia. 127	1" x 17/02mm	Z = 20 162.38	26.2	75.8

**End Cap:** Steel 6205 2RS Precision Bearing

**Shaft Size:** Dia. 25

**Shaft Assemblies:** Female Thread

